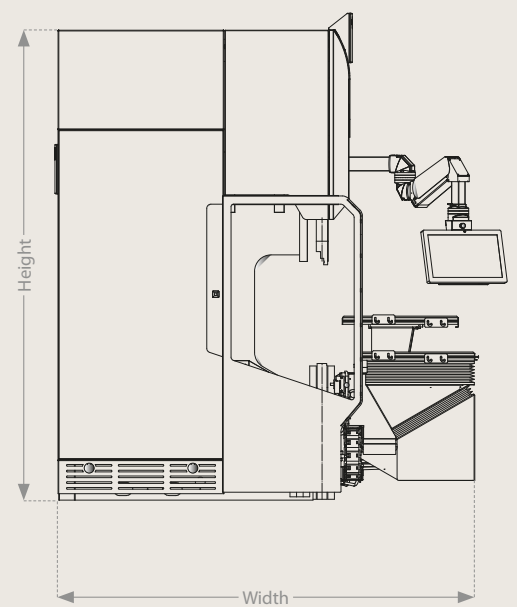
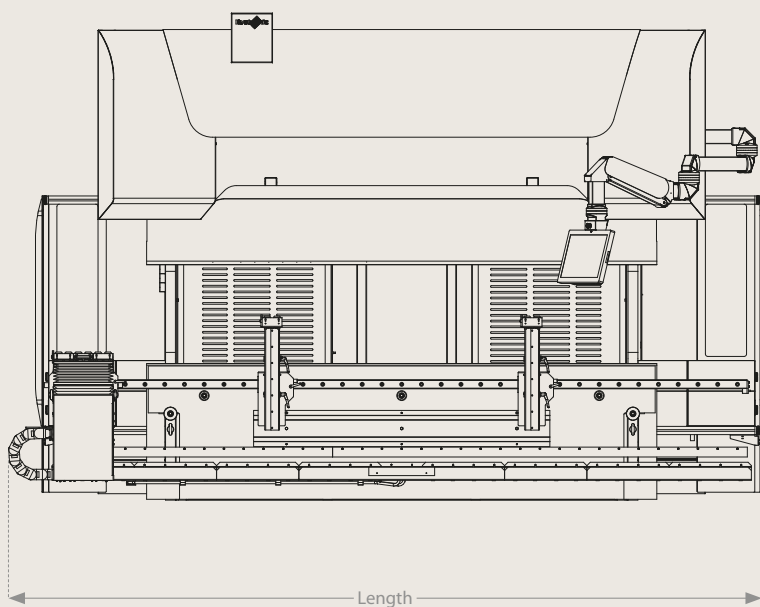


Technical Data

Xpert 60–320

	Xpert 60/2050	Xpert 60/2550	Xpert 100/2050	Xpert 100/2550	Xpert 100/3100	Xpert 100/4100	Xpert 150/2550	Xpert 150/3100	
Length	2820	3460	2980	3340	3890	4890	3360	3910	mm
Width	1900	1900	1920	1900	1900	1900	1900	1900	mm
Height	2660	2505	2550	2660	2660	2780	2660	2660	mm

	Xpert 150/4100	Xpert 200/2550	Xpert 200/3100	Xpert 200/4100	Xpert 250/3100	Xpert 250/4100	Xpert 320/3100	Xpert 320/4100	
Length	4910	3520	3930	4930	3950	4950	4110	4970	mm
Width	1900	1920	1900	1900	1900	1900	2020	2000	mm
Height	2780	2730	2860	2880	3120	3130	3130	3210	mm



Type	Xpert 60/2050	Xpert 60/2550	Xpert 100/2050	Xpert 100/2550	Xpert 100/3100	Xpert 100/4100	Xpert 150/2550	Xpert 150/3100	
Tonnage	600	600	1000	1000	1000	1000	1500	1500	kN
Bending length	2050	2550	2050	2550	3100	4100	2550	3100	mm
Standard stroke	215	215	215	215	215	215	215	215	mm
Open height	500	500	500	500	500	500	500	500	mm
Distance between the side stands	1700	2200	1700	2200	2750	3750	2200	2750	mm
Throat	400	400	400	400	400	400	400	400	mm
Table width	60	60	60	60	60	60	60	60	mm
Max. backgauge range in X (2/4/5 axes)	1050	1050	1050	1050	1050	1050	1050	1050	mm
X-axis travel (2/4/5 axes)	600	600	600	600	600	600	600	600	mm
X-axis speed (2/4/5 axes)	650	650	650	650	650	650	650	650	mm/s
X-axis accuracy (2/4/5 axes)	0,04	0,04	0,04	0,04	0,04	0,04	0,04	0,04	mm
R-axis travel (2/4/5 axes)	250	250	250	250	250	250	250	250	mm
R-axis speed (2/4/5 axes)	200	200	200	200	200	200	200	200	mm/s
R-axis accuracy (2/4/5 axes)	0,1	0,1	0,1	0,1	0,1	0,1	0,1	0,1	mm
Z-axis travel	900	1450	900	1450	1900	2900	1450	1900	mm
Z-axis speed (4/5 axes)	1500	1500	1500	1500	1500	1500	1500	1500	mm/s
Z-axis speed (6 axes)	1200	1200	1200	1200	1200	1200	1200	1200	mm/s
Z-axis accuracy (4/5 axes)	0,1	0,1	0,1	0,1	0,1	0,1	0,1	0,1	mm
Max. Y-rapid traverse	200	200	200	200	200	200	200	200	mm/s
Max. Y-approach speed in High Speed*	220	220	220	220	220	220	220	220	mm/s
Max. Y-working speed	10	10	10	10	10	10	10	10	mm/s
Max. Y-working speed in High Speed*	20	20	20	20	20	20	20	20	mm/s
Max. Y-working speed in High Speed for robot operation*	20	20	20	20	20	20	20	20	mm/s
Accuracy	0,004	0,004	0,004	0,004	0,004	0,004	0,004	0,004	mm
Oil capacity	160	160	170	230	190	160	290	270	l
Main motor power	5,5	5,5	7,5	7,5	7,5	7,5	11	11	kW
Weight	6,8	6,8	7,4	8,6	9,5	12,6	9,8	10,8	t

* Depending on the local regulations and/or with High Speed Option and/or Energy Saver

The right to make changes to dimensions, construction, and equipment is reserved. ISO-9001-certified.

Type	Xpert 150/4100	Xpert 200/2550	Xpert 200/3100	Xpert 200/4100	Xpert 250/3100	Xpert 250/4100	Xpert 320/3100	Xpert 320/4100	
Tonnage	1500	2000	2000	2000	2500	2500	3200	3200	kN
Bending length	4100	2550	3100	4100	3100	4100	3100	4100	mm
Standard stroke	215	215	215	215	265	265	265	265	mm
Open height	500	500	500	500	550	550	550	550	mm
Distance between the side stands	3750	2200	2750	3750	2750	3750	2750	3750	mm
Throat	400	400	400	400	400	400	400	400	mm
Table width	60	60	60	60	60	60	60	60	mm
Max. backgauge range in X (2/4/5 axes)	1050	1050	1050	1050	1050	1050	1050	1050	mm
X-axis travel (2/4/5 axes)	600	600	600	600	600	600	600	600	mm
X-axis speed (2/4/5 axes)	650	650	650	650	650	650	650	650	mm/s
X-axis accuracy (2/4/5 axes)	0,04	0,04	0,04	0,04	0,04	0,04	0,04	0,04	mm
R-axis travel (2/4/5 axes)	250	250	250	250	250	250	250	250	mm
R-axis speed (2/4/5 axes)	200	200	200	200	200	200	200	200	mm/s
R-axis accuracy (2/4/5 axes)	0,1	0,1	0,1	0,1	0,1	0,1	0,1	0,1	mm
Z-axis travel	2900	1450	1900	2900	1900	2900	1900	2900	mm
Z-axis speed (4/5 axes)	1500	1500	1500	1500	1500	1500	1500	1500	mm/s
Z-axis speed (6 axes)	1200	1200	1200	1200	1200	1200	1200	1200	mm/s
Z-axis accuracy (4/5 axes)	0,1	0,1	0,1	0,1	0,1	0,1	0,1	0,1	mm
Max. Y-rapid traverse	200	200	200	200	200	200	200	200	mm/s
Max. Y-approach speed in High Speed*	220	220	220	220	220	220	220	220	mm/s
Max. Y-working speed	10	10	10	10	10	10	10	10	mm/s
Max. Y-working speed in High Speed*	20	20	20	20	20	20	20	20	mm/s
Max. Y-working speed in High Speed for robot operation*	20	20	20	20	20	20	20	20	mm/s
Accuracy	0,004	0,004	0,004	0,004	0,004	0,004	0,004	0,004	mm
Oil capacity	370	390	370	400	425	580	570	580	l
Main motor power	11	18,5	18,5	18,5	22	22	30	30	kW
Weight	13,3	11,2	13,2	17	16,5	19,6	19,2	23,6	t

* Depending on the local regulations and/or with High Speed Option and/or Energy Saver

The right to make changes to dimensions, construction, and equipment is reserved. ISO-9001-certified.

Bystronic: Best choice.

Cutting | Bending | Automation
bystronic.com